



QUICK START GUIDE FOR SLB-SERIES

V1.3

Quick start directions have been designed to provide the user a brief understanding of the product and how to operate it using the most basic functions. It is recommended that you read the entire product manual to fully understand how the SLB-Series works.

**For Sales & Support Please Contact
1-877-805-3377 (EEPS)**

www.eepowersolutions.com

PRIOR TO DISCHARGE TESTING

- Power the unit on before connecting cables
- **Check that all cable connections are done properly** (refer to the backside of this guide for cable connections)
- Flip the breakers up to engage

SET DISCHARGE PARAMETERS

- Select *Discharge* on the **Menu** screen
- On the **Battery DIS** screen select **DIS Test** to display the first menu for setting the discharge test parameters (pictured below)

```
Strg type: 125V
Cell type: 2V
Cell No.: 60 Cell
DIS I: 300.0 A
```

Set Discharge Parameters

- **Strg type** sets the nominal string voltage (Ex. 125V system)
- **Cell type** sets the nominal cell voltage (Ex. 2V cells)
- **Cell No.** sets the number of cells in the battery string. If testing without DAC monitoring per cell, set Cell No. to 0
- **DIS I** sets the constant current to be applied to the battery system. (Ex. 300A)

SET CONDITIONS FOR AUTO-STOP

- Press the down arrow key to move to the next screen **Conditions for Auto-Stop**
- If any of the four parameters pictured below are met the discharge current will stop

```
Tot end U: 112V
Cell end U: 1.8V
DIS C: 2000 Ah
DIS Time: 06H 30M
```

Conditions for Auto-Stop

- **Tot end U** sets the cutoff voltage for the battery string
- **Cell end U** sets the cell end voltage value
- **DIS C** sets the limit for the maximum amps to be removed from the system
- **DIS Time** sets the duration of the discharge test
- If not using a DAC kit, press **ENT** key to start the 60 second discharge test countdown
- **OR**
- If using a DAC kit, press the down arrow key to proceed to the next step

FIRST CELL POLARITY

- First cell polarity must be set as positive (+) or negative (-) depending on the polarity of the first (#1) cell of the battery string
- If the first cell starts at the most negative end

- of the string, leave setting at negative
- If the first cell starts at the most positive end of the string, set to positive
- For more information on first cell polarity and DAC connection, refer to User Manual.

DURING THE TEST

- The discharge test will be displayed in real-time on the SLB-Series display. The test can also be viewed in real-time using the Dataview software on a PC (refer to the user manual for instructions)
- During the 60 second countdown the unit will detect to make sure none of the conditions for auto-stop are met.
- If any conditions for auto-stop are met the test will not start and a warning message will indicate which parameter was met (Ex. "String voltage error")
- If all parameters pass the test will start and the string voltage & discharge current will be displayed in real-time
- If using DAC, all individual cell voltages will be displayed throughout the test in real-time
- The test will continue for the duration of the time set assuming no conditions for auto-stop are met
- When the test is complete, it will automatically be saved to the load bank's internal memory

DATA MANAGEMENT

- Discharge test results can be viewed on the SLB-Series display or on the PC using the Dataview software
- To view test data in the load bank: Select **Data** -> **View Data** -> **DIS Data** then select the test to view
- Tests can be viewed, deleted, or transferred to USB for viewing on the PC
- For more detailed information on the Dataview software, refer to the User Manual

CONNECT TO AC POWER

- Connect the AC power cable and power on the load bank
- WARNING: Be sure the load bank is powered on before connecting and disconnecting the load cables**

CONNECT LOAD CABLES

- Connect the negative discharge cable(s) to the rear of the load bank first then to the most negative post of the battery string
- Connect the positive load cable(s) to the rear of the load bank then to the most positive post of the battery string

CONNECT SYSTEM VOLTAGE LEADS

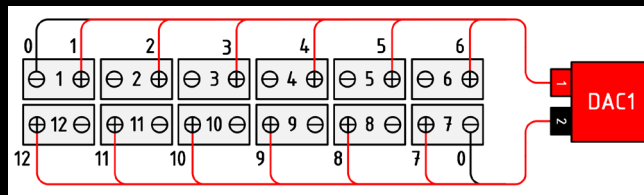
- Connect the negative and positive clamps to the posts of the battery string
- Plug the connector end into the plug on the rear of the unit labeled *Voltage Test*

DAC CONNECTION (Data Acquisition Case)

- Always start with DAC1, connecting it to the most negative post of the battery string (see "First Cell Polarity" on the opposite side of this guide)
- DAC's have (2) serial ports labeled as 1 & 2
- Connect DAC cable 1 (red serial connector) to DAC port 1
- Connect DAC cable 2 (black serial connector) to DAC port 2
- WARNING: Be certain that the cabling and alligator clips are properly connected to the batteries BEFORE making the final (serial) connection to the DAC**
- If the connection is improper (i.e. incorrect sequence, etc.) it may result in the DAC being damaged

DAC CONNECTION TO 1.2V/2V/4V CELLS

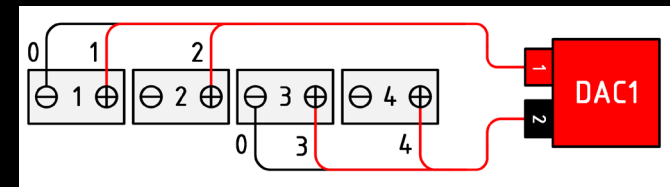
- For 1.2/2/4V cells, use 7-Lead DAC cables**
- Start with DAC cable 1 (red serial connector)
- Connect the black alligator clip (labeled 0) to the most negative post of the battery string
- Connect the red alligator clips (each labeled 1-6) to the next (6) positive posts
- Next use DAC cable 2 (black serial connector)
- Connect the black alligator clip (labeled 0) to the negative post after the previous cell connection
- Connect the red alligator clips (each labeled 7-12) to the next (6) positive posts
- Repeat connection pattern for additional DAC's



7-Lead Connection to (12) 2V Cells

DAC CONNECTION TO 6V/8V/12V CELLS

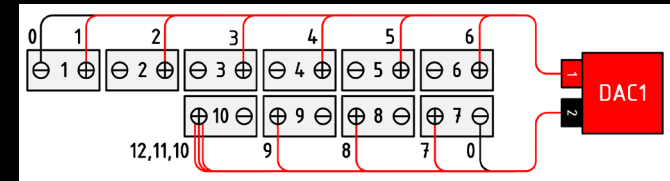
- For 6/8/12V cells, use 3-Lead DAC cables**
- Start with DAC cable 1 (red serial connector)
- Connect the black alligator clip (labeled 0) to the most negative post of the battery string
- Connect the red alligator clips (each labeled 1 & 2) to the next 2 positive posts
- Next use DAC cable 2 (black serial connector)
- Connect the black alligator clip (labeled 0) to the negative post after the previous cell connection
- Connect the red alligator clips (each labeled 3 & 4) to the next (2) positive posts
- Repeat connection pattern for additional DAC's



3-Lead Connection to (4) 12V Jars

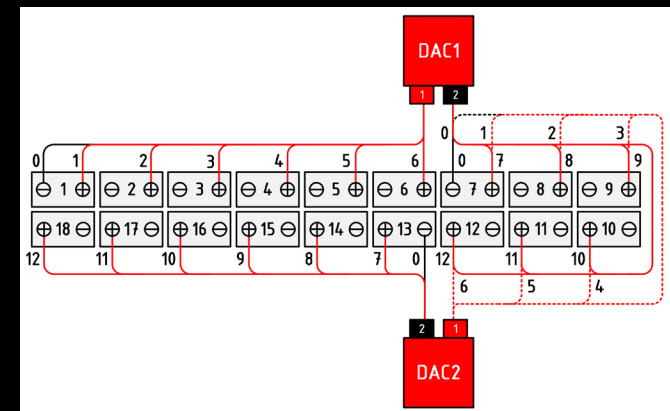
DAC CONNECTION WITH SPARE LEADS

- Only when using one DAC, connect spare leads to the last positive post of the string**



7-Lead Connection to (10) 1.2V Cells

- When using multiple DAC and there are spare leads from the last DAC, all leads must connect to single cells, do not double up leads on the last post.**
- Starting with the last test lead from the last DAC, connect it to the most positive post of the battery string
- Working backwards, connect the rest of the leads until they are connected (there will be overlapping between leads of the previous DAC)



7-Lead Connection to (18) 1.2V Cells