



# Portero 30A Small Cell System

DAS

Wireless

Base Stations



Portero 37A

## Product Description

Eagle Eye's SC-Series small cell power systems provide flexible configurations for indoor and outdoor DAS and small cell 5G/4G/LTE applications. They are equipped with full features and options, including battery backup with dry contact alarms. With more than 300,000 systems deployed, our small cell systems are designed to withstand all types of weather conditions and harsh environments for reliable power anywhere on the planet.

## Product Features

- Wall mount type
- Battery charger and monitor
- Full featured status and alarms
- Dry contact alarm
- IP55 grade
- Convection cooling type (no fan)

## Safety Standards (pending)

- UL/cUL 60950-1
- CE Mark: Low voltage directive
- Telcordia: NEBS Compliant (Level 3)

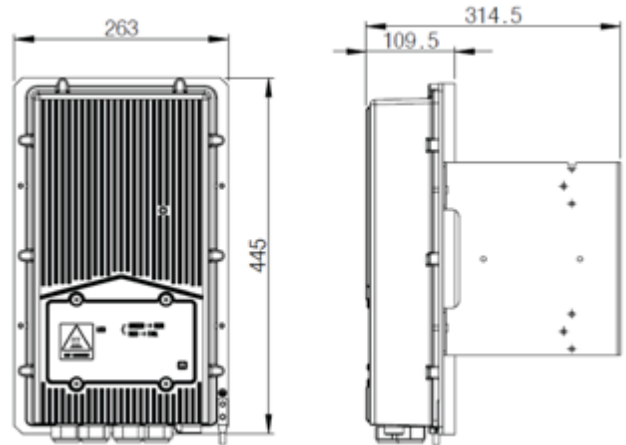
General Specifications	
Operating Temp	-40 – 50°C (-40 – 122°F)
Storage Temp	-40 – 70°C (-40 – 158°F)
Humidity	Operating: ≤90% / Storage: ≤95%
Cooling	Convection cooling
IP Rating	IPX5
Size (W x D x H)	263x110x445mm (10.35x4.33x17.52in)
Weight	10kg (22.5lbs)
Mounting	Wall mount & pole mount

Connections	
DC Output Port	3 x 30A Circuit Breaker
Battery Port	1 x 50A Circuit Breaker
TCP/IP	Remote Monitoring
Alarm	6 x Dry Contact Alarm

Input Specifications	
Voltage	176 – 264VAC
Frequency	57 – 63Hz
Power Factor	>95%
Efficiency	≥94% at 100% load

Output Specifications	
Voltage	54VDC
Output Range	43 – 56VDC
Output Current	37A
Power Capacity	2000W

## Mechanical Outline Drawing



## Ordering Information

Model No.	Description
Portero 37A	-53.3VDC, 37A Small Cell System